

Three-pole high SCCR UL Type 2 surge protective devices for three-phase Delta and Wye systems



Remote contact signaling available

easyID™ local visual status indication

Catalog symbols:

- BSPM3__WYG
- BSPM3__WYGR
- BSPM3__DLG
- BSPM3__DLGR

Description:

Eaton Bussmann™ series three-pole UL modular surge arresters feature *easyID™* local visual indication and optional remote contact signaling for system monitoring.

The unique module locking system fixes the protection modules to the base and they can be easily replaced without tools by simply depressing the release buttons.

Integrated mechanical coding between the base and protection module ensures against installing an incorrect replacement.

Standard local visual indication

The green and red visual indicator flags show the module protective status (green = good, red = replace).

Optional remote contact signaling

The three-pole terminal remote contact signaling option has a floating changeover contact for use as a break or make contact, according to circuit concept.

Specifications:

System volts

- 208Vac
- 480Vac
- 600Vac

Short-Circuit Current Rating (SCCR)

- Up to 200kA

Systems types

- Three-phase Wye, 3 wire + ground
- Three-phase Delta, 3 wire + ground

Agency information

- UL® Recognized 1449 4th Edition, Type 2 Component Assembly
- Vibration and shock tested per EN 60068-2
- CE
- RoHS compliant

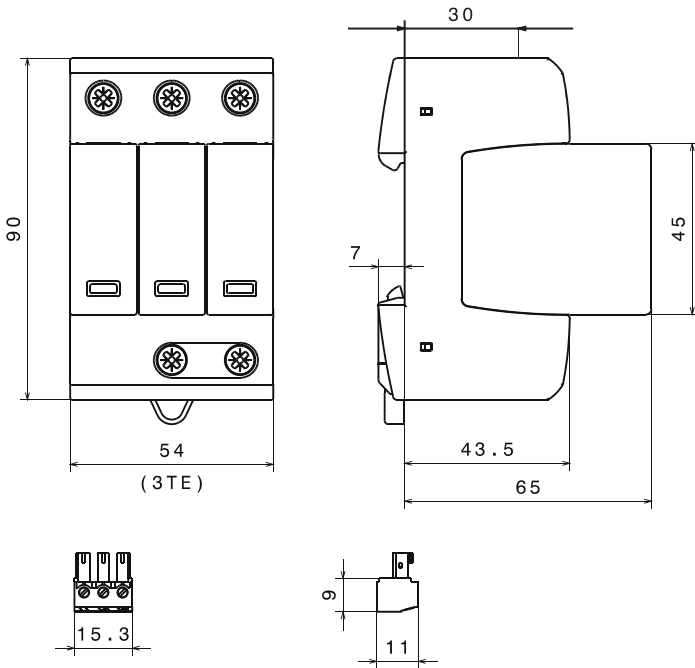
Mounting

- 35mm DIN-Rail

Warranty

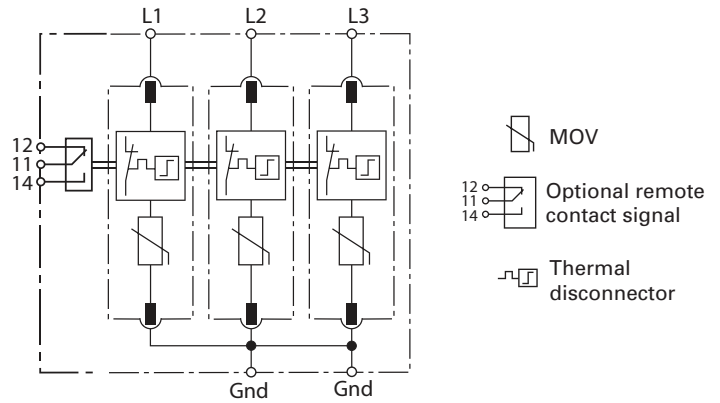
- Five years

Dimensions - mm:



Module circuit diagrams:

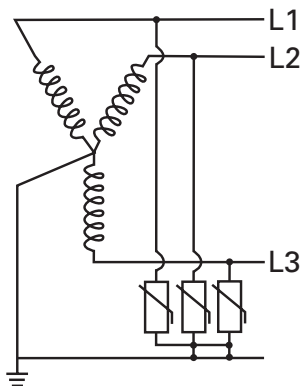
Shown with optional remote contact signaling



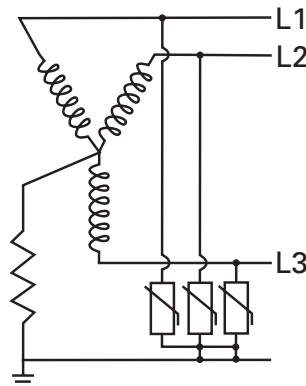
- BSPM3208WYG
- BSPM3480WYG
- BSPM3600WYG
- BSPM3240DLG
- BSPM3480DLG

Shown with optional remote contact signaling.

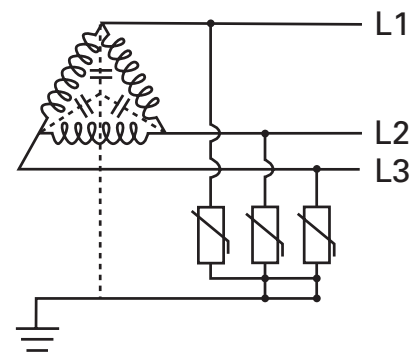
Typical installation/system application:



208, 480, 600Vac
Wye 3-phase, 3 wire + ground
BSPM3208WYG, BSPM3480WYG,
BSPM3600WYG



208V, 480V, 600Vac
Wye 3-phase, 3 wire + ground
BSPM3208WYG, BSPM3480WYG,
BSPM3600WYG



240, 480Vac
Delta 3-phase, 3 wire + ground
BSPM3240DLG, BSPM3480DLG

Ordering information:

Nominal system voltage		120/208Vac	240Vac	277/480Vac	480Vac	347/600Vac
Max. Continuous Operating AC Voltage MCOV (V _c) [L-G/L-L]		275/550Vac	275/550Vac	385/770Vac	600/1200Vac	600/1200Vac
Catalog numbers (base + modules)	W/O remote signaling	BSPM3208WYG	BSPM3240DLG	BSPM3480WYG	BSPM3480DLG	BSPM3600WYG
	W/ remote signaling	BSPM3208WYGR	BSPM3240DLGR	BSPM3480WYGR	BSPM3480DLGR	BSPM3600WYGR
Replacement module	MOV technology	BPM275UL	BPM275UL	BPM385UL	BPM600UL	BPM600UL

Specifications						
Rated voltage		120-127Vac, 208-220Vac	240Vac	277/480Vac	480Vac	347/600Vac
Voltage Protection Rating VPR [L-G/L-L]		1kV/1.8kV	1kV/1.8kV	1.5kV/2.5kV	2kV/4kV	2kV/4kV
SCCR		200kA	200kA	200kA	125kA	125kA
Discharge current	Nom. I _n	20kA				
	Max. I _{r,max}	40kA				
Response time t _A		≤25 ns				
Frequency		50/60Hz				
Number of poles		3				
Number of wires/connection points		3 wires / 4 connection points				
Operating state/fault indication		Green (good) / Red (replace)				
Cross-sectional area	Min..	14AWG - Cu stranded, solid or fine				
	Max..	2AWG - Cu solid or stranded, 4AWG - Cu fine				
Terminal torque		45 lb-in (5.1N•m)				
Mounting		35mm DIN-rail per EN 60715				
Enclosure material		Thermoplastic, UL 94V0				
Protection		IP20 (finger-safe)				
Location		Indoor				
Capacity		3 Mods, DIN 43880				
Application, standard		UL Type 2 Component Assembly, UL 1449, 4 th Edition				
Agency information		cURus, RoHS Compliant				
Warranty		Five years*				

Remote contact signaling		
Signaling type		Changeover contact
Switching capacity (volts/amps)	AC	250V/0.5A
	DC	250V/0.1A; 125V/0.2A; 75V/0.5A
Conductor and cross-sectional area		60/75°C Max. 1.5mm ² /14AWG solid/flexible
Ordering information		Order from catalog numbers above

* See Eaton Bussmann SPD Limited Warranty Statement (3A1502) for details at www.cooperbussmann.com/surge.

The only controlled copy of this data sheet is the electronic read-only version located on the Eaton network drive. All other copies of this document are by definition uncontrolled. This bulletin is intended to clearly present comprehensive product data and provide technical information that will help the end user with design applications. Eaton reserves the right, without notice, to change design or construction of any products and to discontinue or limit distribution of any products. Eaton also reserves the right to change or update, without notice, any technical information contained in this bulletin. Once a product has been selected, it should be tested by the user in all possible applications.

Eaton
1000 Eaton Boulevard
Cleveland, OH 44122
Eaton.com

Bussmann Division
114 Old State Road
Ellisville, MO 63021
United States
Eaton.com/bussmannseries

© 2016 Eaton
All Rights Reserved
Printed in USA
Publication No. 2151 — BU-MC16XXX
February 2016



Eaton and Bussmann are valuable trademarks of Eaton in the U.S. and other countries. You are not permitted to use the Eaton trademarks without prior written consent of Eaton.

For Eaton's Bussmann series product information, call **1-855-287-7626** or visit: **Eaton.com/bussmannseries**

Follow us on social media to get the latest product and support information.

